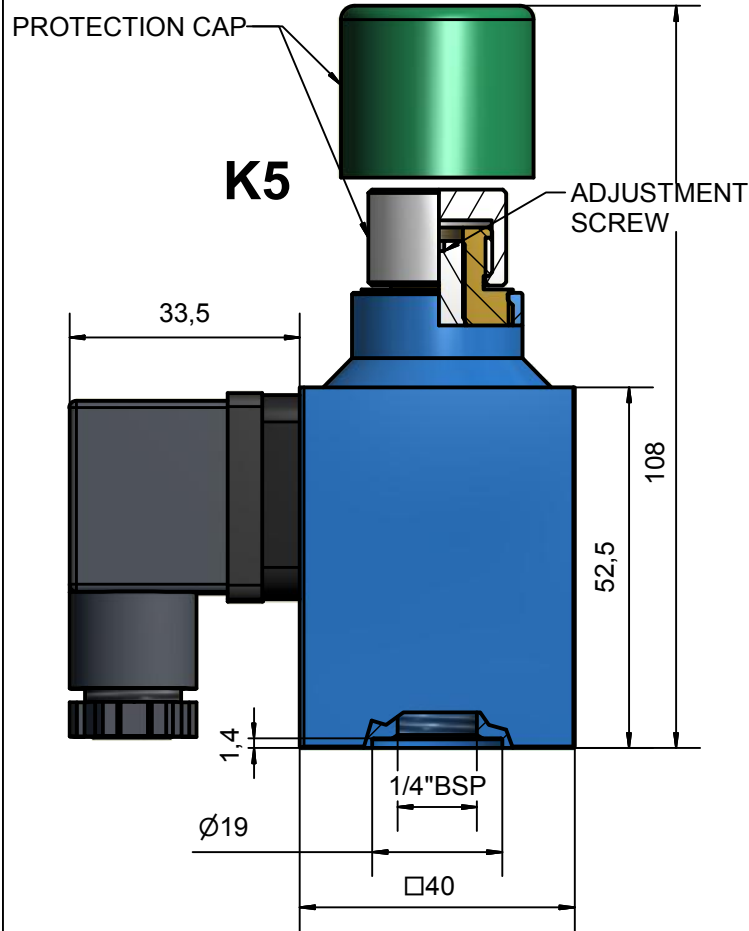
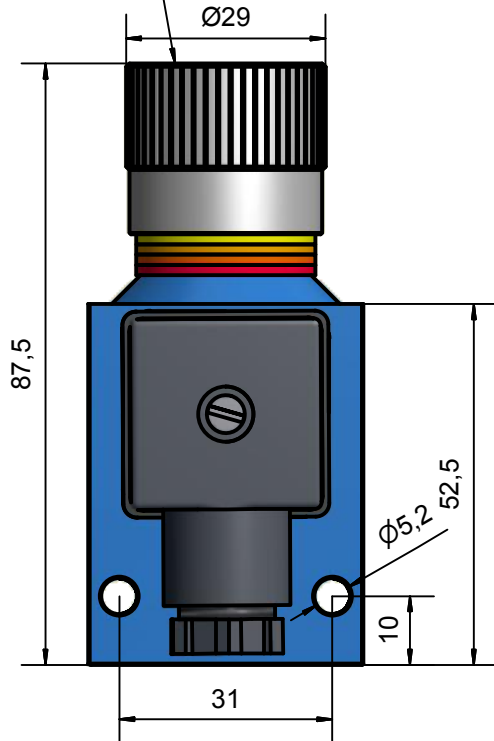


**K5\_P**

Locking screw



## PRESSURE SWITCH **K5 and K5P**

### General

Assembly : every position

### Features

Working temperature : -20 °C / 80°C

Switching frequency : 120 cycles/min

Switching accuracy : ~2% of full scale value @ 20°C

Fixed hysteresis : ~15% of full scale value @ 20 °C

Ranges: from 2 to 400 Bar

Setting point: ( ON REQUEST )

Weight : 0,35 kg

### Materials

Anodized aluminum

Seals : NBR

### Connections

1/4"BSPF

Cetop flange (no adapter needed)


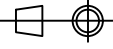
### Electric features

Max load : 5A / 250 VAC - 0,25A / 250 VDC

Contacts NO/NC

Connector DIN 43650

Protection DIN 40050 : IP65

	Date	Name:	DESCRIPTION:	SCALE:
DRAWN:	04/09/2017	ec	K5 range of pressure switches	1:1
CHECKED:	04/09/2017	AA		
APPROVED:				
Projection:ISO128	FOX S.r.l.		DRAWING No/FILE NAME	SHEET
 ALL DIMENSION ARE IN MILLIMETER EXCEPT WHERE OTHERWISE NOTED	Via Romagna 6 20090 Opera (MI) ITALY		K55 DataSheet	1 of 1

THIS DRAWING IS PROPERTY OF FOX S.r.l. COPYRIGHT , PATENTS AND ALL INDUSTRIAL PROPERTY RIGHTS RESERVED